

INDUSTRIAL & COMMERCIAL HEATING ELEMENTS • IMMERSION HEATERS • SPECIAL HEATER ASSEMBLIES
CUSTOM DESIGN & DEVELOPMENT • COMPONENTS & CONTROLS • SPARES & REPLACEMENTS

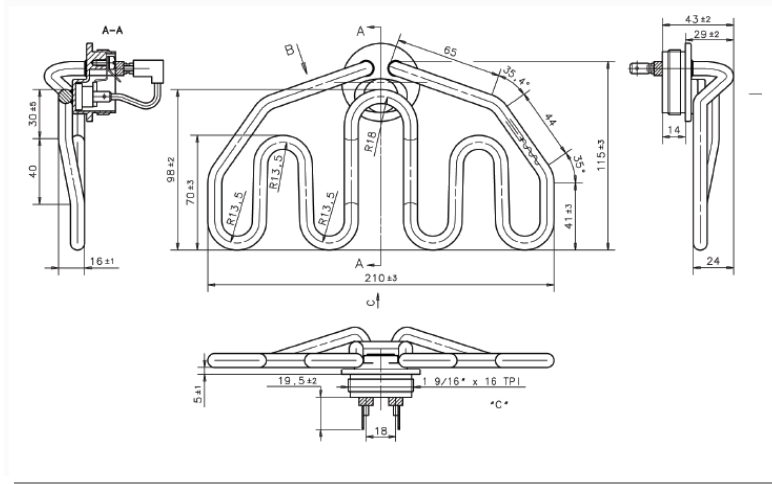
Code:

BURTONSHAW2KWSMA VIC22-0065

T P Fay (Kirkby) Ltd
55-65 Admin Road
Knowsley Industrial Park
Liverpool
Merseyside
L33 7TX

t: 03703 505058
f: 03703 505059

w: tpfay.co.uk
e: info@tpfay.co.uk



Description:

**ELEMENT 2000W 240V FANTAIL INCOLOY
FOR VICTOR BAIN MARIE**

**BURTONSHAW ELEMENT I/LOY 2000W 240V
short version 115mm x 210mm**

[Buy Online](#)

For further information on this or any other product please contact our company.